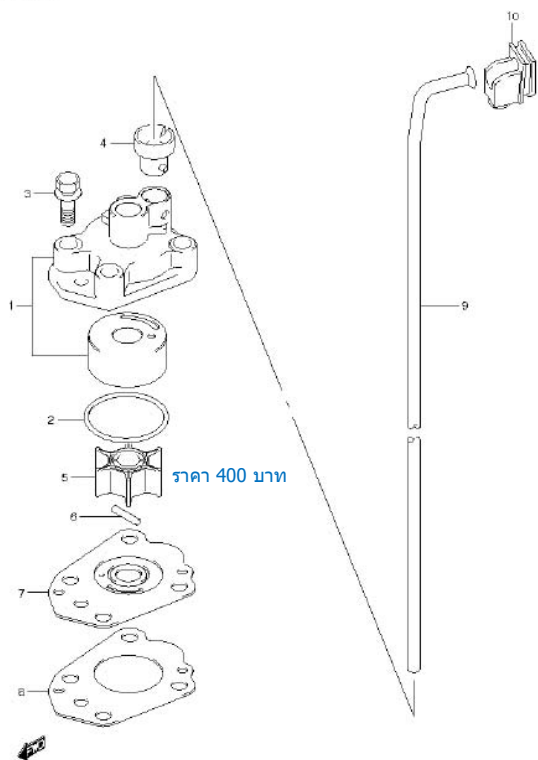


**FIG.7**



**FIG 7 (1-B-8) WATER PUMP**

REF. NO.	PART NO.	DESCRIPTION	Q'TY	REMARKS
1	17410-97JL0	CASE, WATER PUMP	1	
2	09280-33005	O RING (D:1.9JD:32.7)	1	
3	09116-06207	BOLT (6X30)	4	
4	17415-97J00	GROMMET, WATER PUMP CASE	1	
5	17461-97JM0	IMPELLER, WATER PUMP	1	חורב 400
6	09202-02006	PIN (2.9X14)	1	
7	17471-97JL0	PANEL, PUMP CASE UNDER	1	
8	17472-97JL0	GASKET, PUMP CASE PANEL	1	
9	17561-97JM0	TUBE, WATER (S)	1	
10	17563-97J10	GROMMET, WATER TUBE UPPER	1	